

1310nm TO LED High Power

WSR-2002

KEY FEATURES

- Minimum output power of 50μW into 62.5/125μm fiber
- Bandwidth of 115MHz
- Device Electrically isolated from the receptacle
- Operating temperature range of -40°C to + 85°C

ABSOLUTE MAXIMUM RATINGS	SYMBOL	VALUE	UNITS
Forward Current	I _F	150	mA
Reverse Voltage	V _R	2	V
Operating Temperature	T _{AMB}	-40 to +85	°C
Storage Temperature	T _{STG}	-40 to +125	°C
Soldering Temperature 2mm from Case for 10 Seconds	T _{SLD}	260	°C

NOTE

Stresses greater than those listed under "Absolute Maximum Ratings" may cause permanent damage to the device. This is a stress rating only and functional operation of the device at these or any other conditions above those indicated in the operations section for extended periods of time may affect reliability

NOTE

The inherent design of this component causes it to be sensitive to electrostatic discharge (ESD). To prevent ESD induced damage and or degradation to equipment, take normal ESD precautions when handling the product.

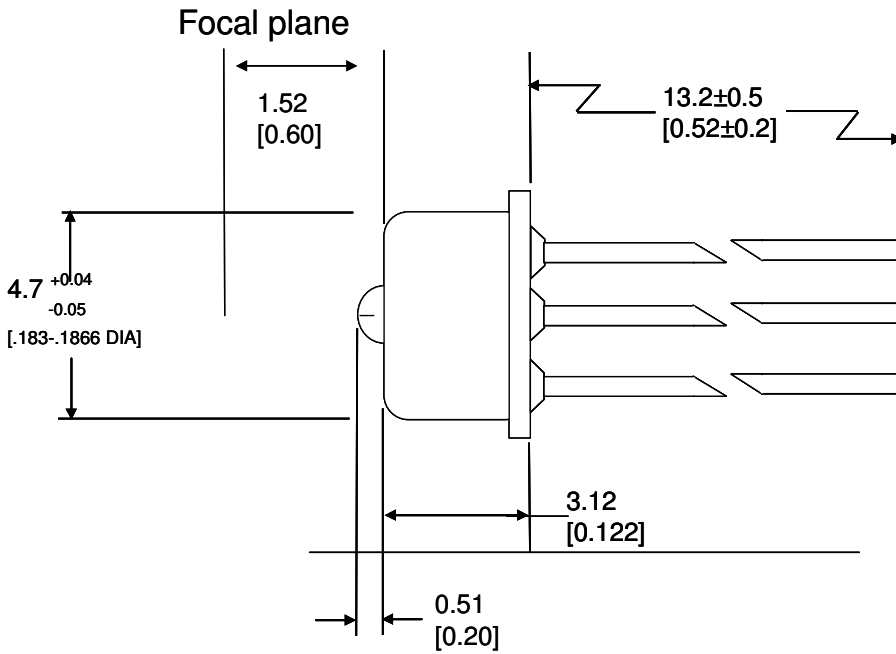
OPTICAL/ELECTRICAL CHARACTERISTICS	SYMBOL	MIN	TYP	MAX	UNITS	TEST CONDITION
Launched Power	P _o	20	30		μW	50/125 um Fiber
	P _o	50	75		μW	62.5/125um Fiber
Spectral Wavelength	λ _c	1290		1350	nm	
Spectral Width	Δλ			170	nm	FWHM
Forward Voltage	V _F		1.4	1.7	V	
Rise and Fall Time	T _{RF}		2.5	4	ns	100mA 50% duty cycle 12.5MHz
Leakage Current	I _L			2	μA	V = -2V
Capacitance	C			200	pF	V= 0V; f = 1MHz
Bandwidth	f _c		115		MHz	
NOTE: LED PERFORMANCE (25°C, 100mA forward current)						

THERMAL CHARACTERISTICS	SYMBOL	MIN	TYP	MAX	UNITS	TEST CONDITION
Radiant Power temperature Coefficient	δP/δT		-0.03		dB/°C	
Wavelength Temperature Coefficient	δλ/δT		0.45		nm/°C	

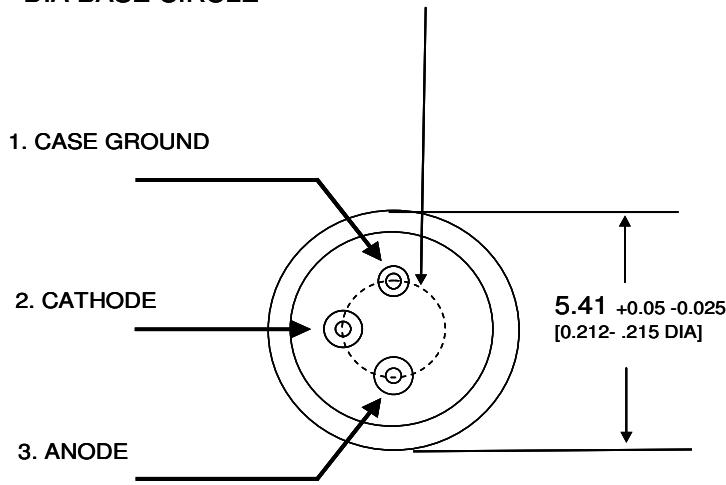
All values apply at room temperature unless otherwise noted.

MECHANICAL OUTLINE

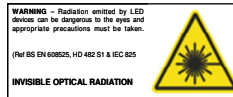
WSR Optical Device Solutions LLC reserves the right to introduce changes without notice. No responsibility is assumed for its use nor for any infringement of the rights of third parties.



DEVICE LEADS ARE ON A 2.54 [0.1] DIA BASE CIRCLE



All dimensions are in millimeters [inches]. Tolerances are $\pm 0.1\text{mm}$ [0.0256] unless otherwise stated



WSR Optical Device Solutions LLC reserves the right to introduce changes without notice. No responsibility is assumed for its use nor for any infringement of the rights of third parties.